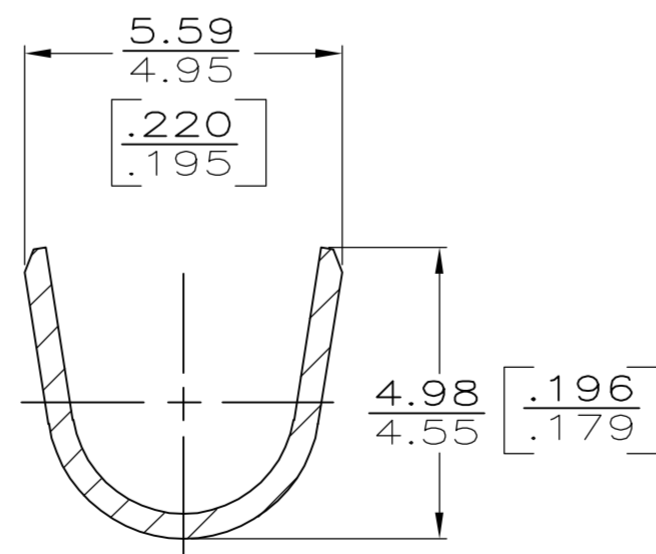
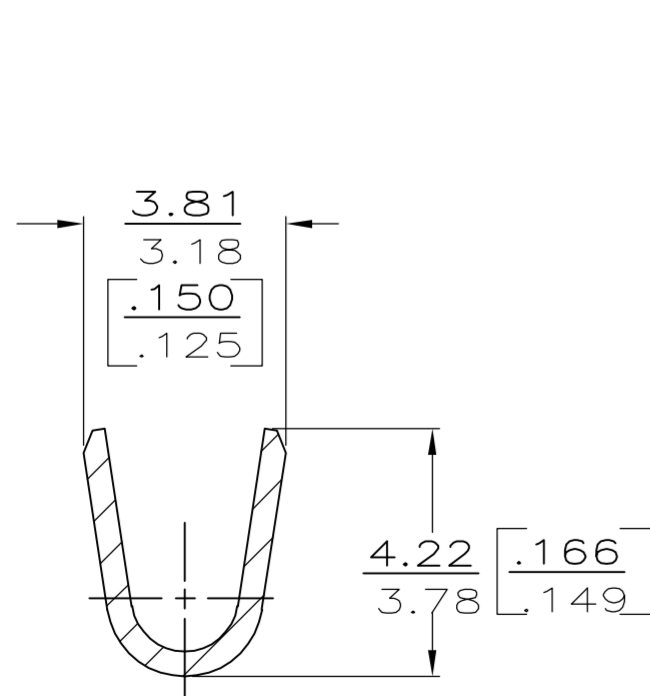
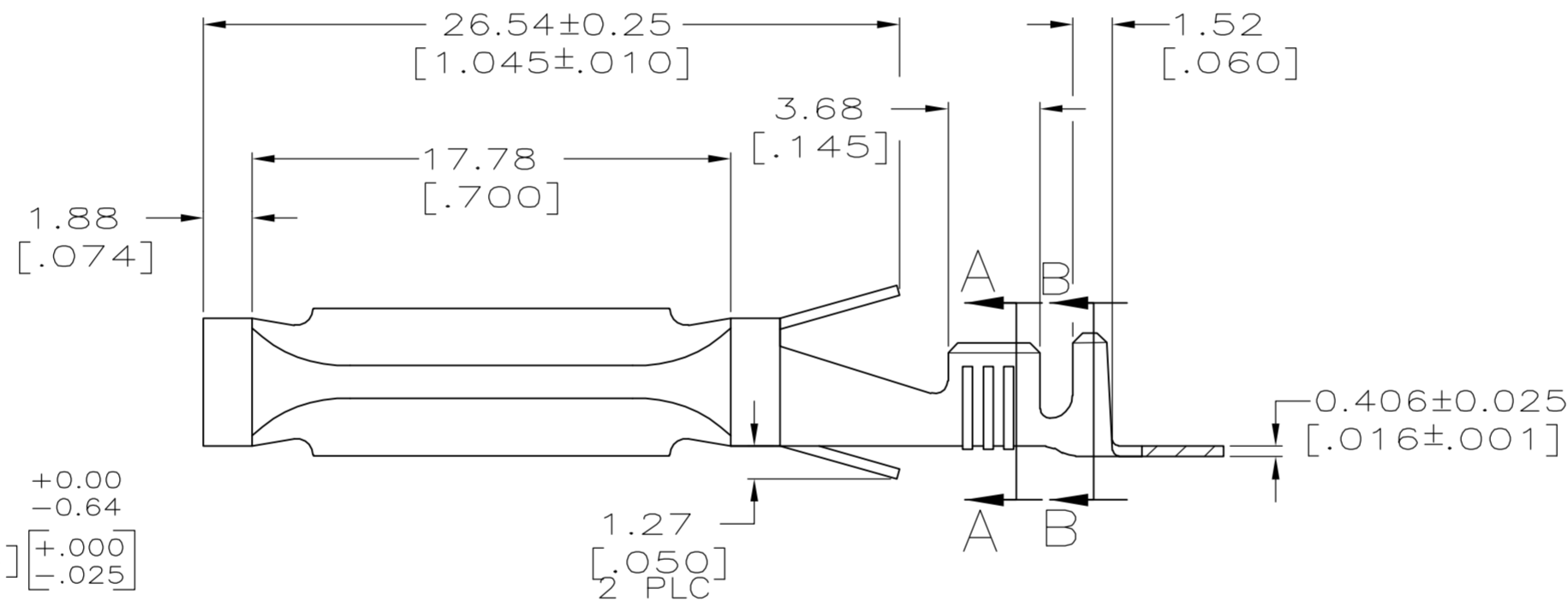
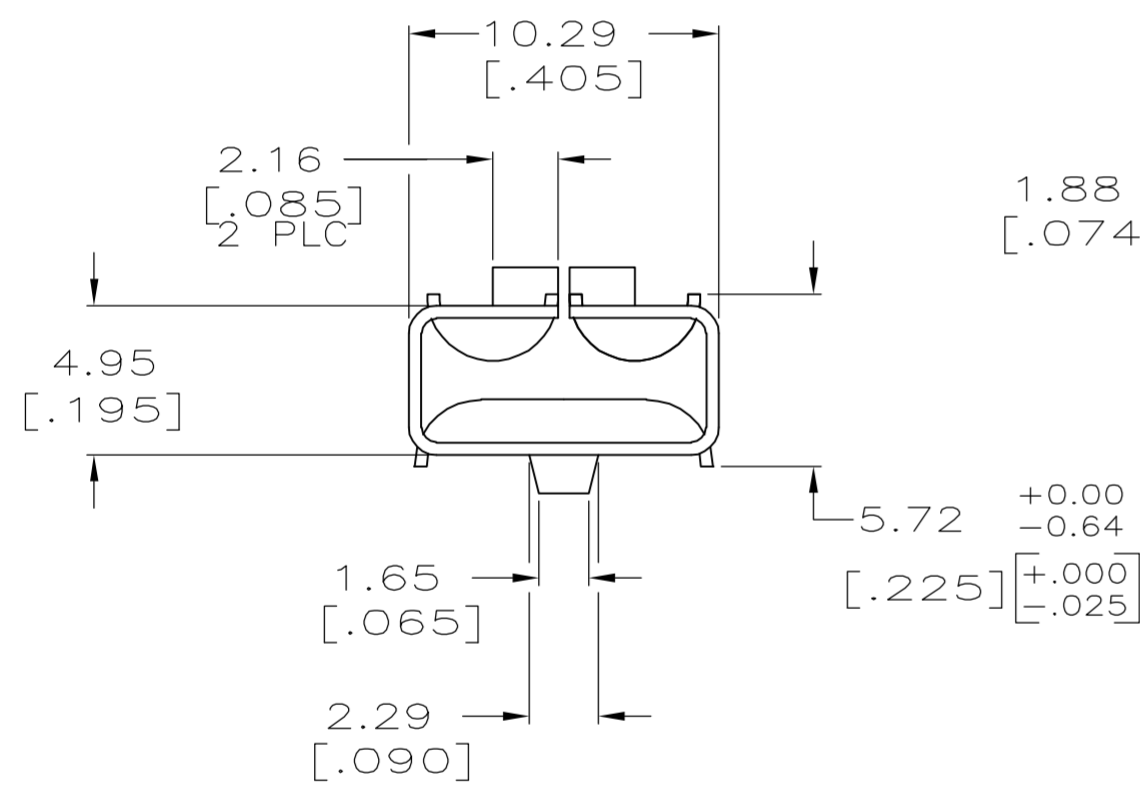
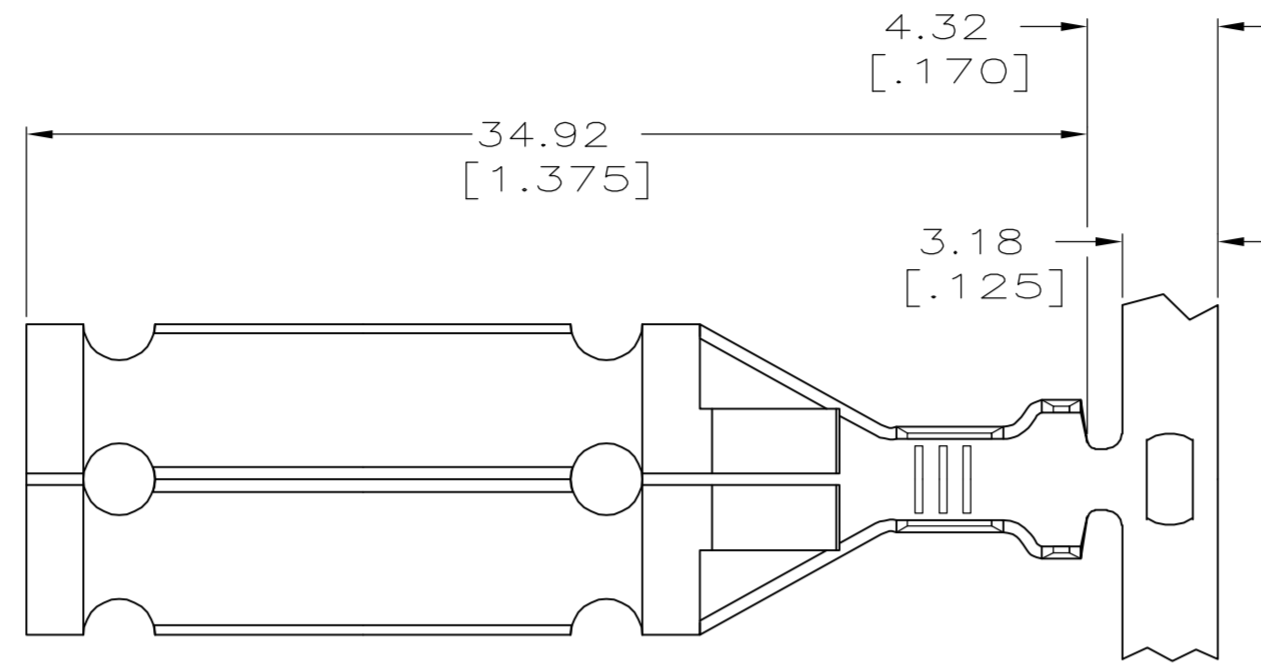


THIS DRAWING IS UNPUBLISHED. RELEASED FOR PUBLICATION
 © COPYRIGHT BY TYCO ELECTRONICS CORPORATION. ALL RIGHTS RESERVED.

LOC	DIST	REVISIONS			
P	LTR	DESCRIPTION	DATE	DWN	APVD
AF	50	B1	REVISED PER ECR-05-005716	9AUG05	MF DD

- CONTINUOUS STRIP ON REELS.
- WIRE RANGE: 0.8-2.0mm² [18-14] AWG.
- INSULATION RANGE: 2.67-3.91 [.105-.154] DIA.



SECTION B-B
SCALE 10:1

SECTION A-A
SCALE 10:1

THIS DRAWING IS A CONTROLLED DOCUMENT.		DWN R FLAIG 09SEP2004	STAINLESS STEEL		1742174-1
DIMENSIONS: INCHES		CHK D DECKER 09SEP2004	MATERIAL		PART NUMBER
TOLERANCES UNLESS OTHERWISE SPECIFIED:		APVD D DECKER 09SEP2004	NAME		RECEPTACLE, PLUG-IN MODULE, SURFACE BURNER
0 PLC ± -		PRODUCT SPEC	SIZE		CAGE CODE
1 PLC ± -		APPLICATION SPEC	DRAWING NO		RESTRICTED TO
2 PLC ± 0.25 [.010]		WEIGHT		A2 00779 C=1742174	
3 PLC ± -		CUSTOMER DRAWING		SCALE 4:1 SHEET 1 OF 1 REV B1	
4 PLC ± -		FINISH			
ANGLES ± -					
MATERIAL SEE TABLE					